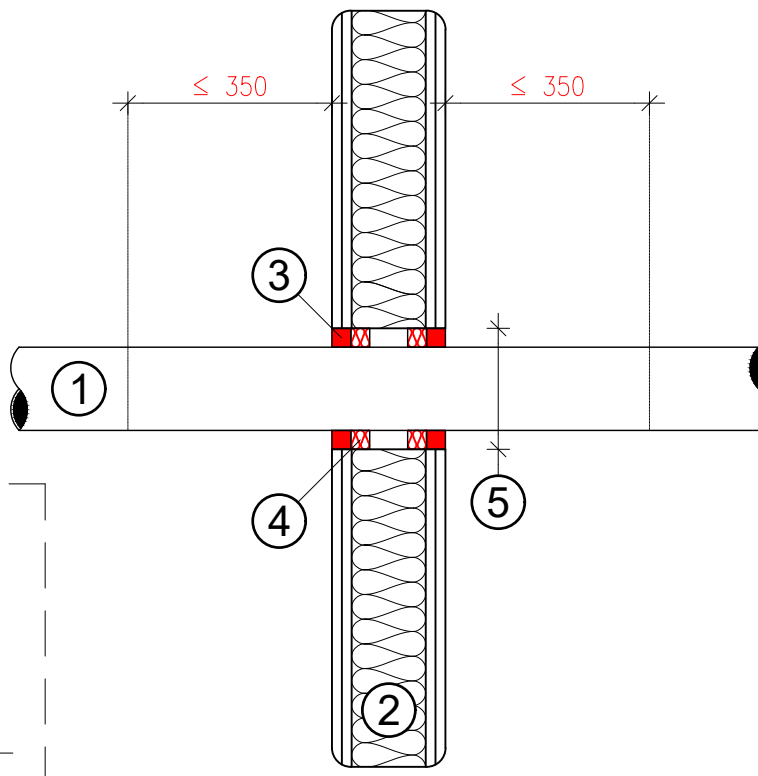


SISÄLTÖ

Plastic pipe firestop in gypsum board wall

VS-M-M1

KOHDE



1. Penetrating element:

Material	Diameter	Classification
PVC-U, PVC-C, PE, ABS and SAN+PVC plastic pipe	≤ 32mm	EI 90
PP plastic pipe		EI 60
PEX pipes + conduit	PEX: ≤ 28mm SP: ≤ 54mm	EI 30
	PEX: ≤ 15mm SP: ≤ 25mm	EI 120

2. Gypsum board wall, min. 100mm, both sides of structure 2 x 13mm gypsum board.

3. Fire acrylic filling, **Acryrub FR PS**, depth = 25mm, ETA-21/0092.

4. Fire wool backing, **Soudal Backing**, depth = 12,5mm.

5. Min. aperture: diameter of pipe + 20mm,
Max. aperture: diameter of pipe + 60mm.

Installation of the fire break according to sections A.3.3 and A.3.5 of the assessment ETA-21/0092 (DoP no. 231592).
Distance between through holes = min. 30mm.
Installation picture not to scale.

Acryrub FR PS: 12mm depth with seam structure, sound insulation in the structure 62dB. (EN ISO 10140-2:2010).
The product has an M1 emission classification.

Product used in this drawing must not be changed. If product, or application method is changed, firestop plans must be updated.