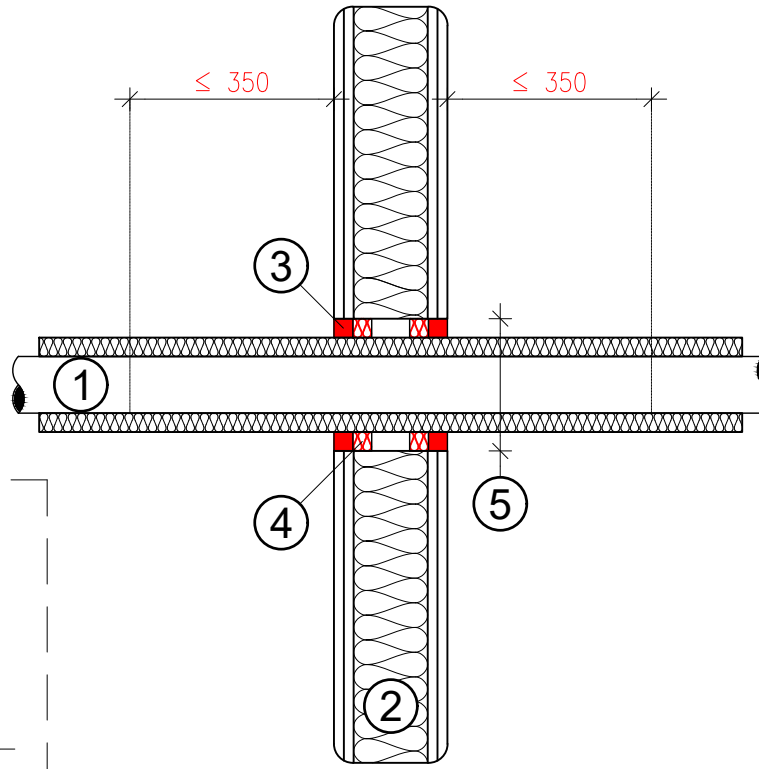


SISÄLTÖ

Copper and steel pipe firestop in gypsum board wall, non-combustible insulation

VS-T-M1

KOHDE



1. Penetrating element:

Material	Diameter	Insulation	Classification
Copper- or Steel pipe	6 - 12mm	Uninsulated	EI 60
	13 - 22mm		EI 30
	≤ 54mm	Continuous stone wool insulation 20 - 80mm, 80kg/m ³	EI 60
		Local interrupted stone wool insulation 500mm x 20mm, 80kg/m ³ both sides.	EI 120
Steel pipe	5 - 30mm	Uninsulated	EI 90
	40-219mm	Local interrupted stone wool insulation 1000mm x 30mm 80kg/m ³ both sides.	
	40-324mm	Continuous stone wool 30-80mm, 80kg/m ³ .	

2. Gypsum board wall, min. 100mm, both sides of structure 2 x 13mm gypsum board.

3. Fire acrylic filling, **Acryrub FR PS**, depth = 12,5mm, ETA-21/0092.

4. Fire wool backing, **Soudal Backing**, depth = 20mm.

5. Min. aperture: diameter of pipe + 20mm,

Max. aperture: 300mm x 300mm.

Installation of the fire break according to sections A.3.3 and A.3.4 of the assessment ETA-21/0092 (DoP no. 231592).

Corrosion-sensitive material must be protected against corrosion or insulated at the fire acrylic filling.

Distance between through holes = min. 30mm.

Installation picture not to scale.

Acryrub FR PS: 12mm depth with seam structure, sound insulation in the structure 62dB. (EN ISO 10140-2:2010).

The product has an M1 emission classification.

Product used in this drawing must not be changed. If product, or application method is changed, firestop plans must be updated.