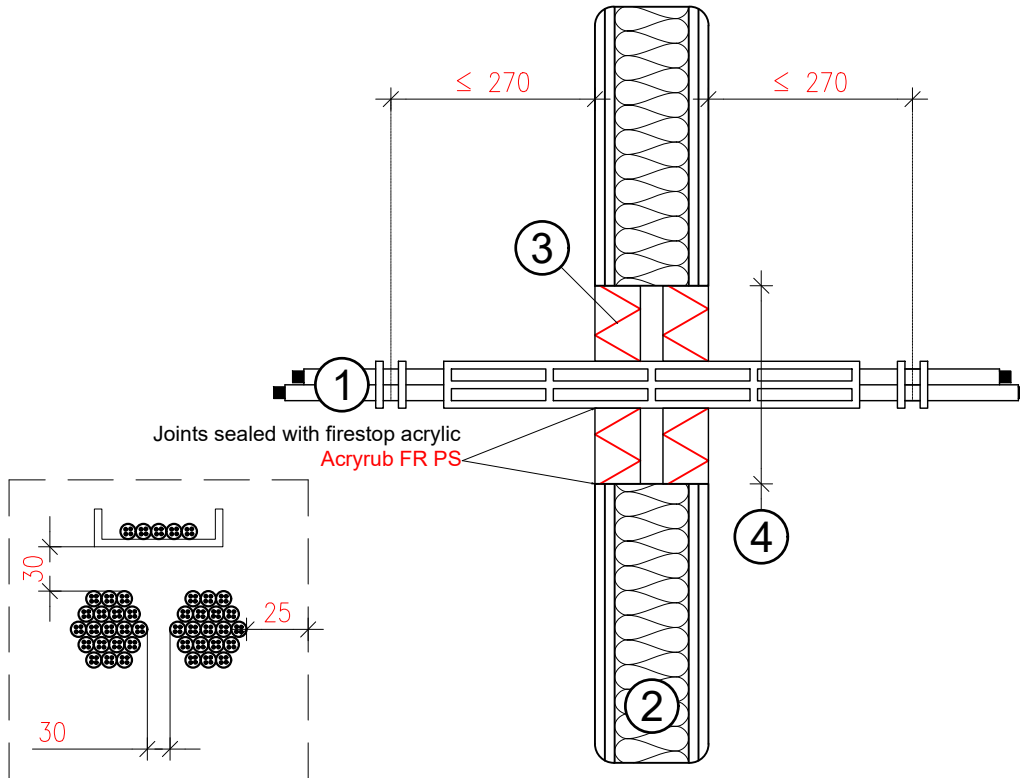


SISÄLTÖ

Cable bundle and tray firestop in gypsum board wall

VS-S-X1

KOHDE



Joints sealed with firestop acrylic
Acryrub FR PS

1. Penetrating element:

Material	Diameter	Classification
Single cable	≤ 21mm	EI 60
	≤ 80mm	
Cable bundle (Single cable ≤ 21mm)	≤ 100mm	
Cable traycontaining single cables ≤ 80mm	≤ 80mm	
Plastic conduits	≤ 16mm	

- Gypsum board wall, min. 100mm, both sides of structure 2 x 13mm gypsum board.
- Firestop board, **Soudal Fire Board Pro 1S 50mm**, ETA-21/0087.
- Min. aperture: diameter of bundle + 50mm,
Max. aperture: 2400mm x 1200mm.
Filling ratio = ≤ 60%.

Installation of fire break according to point A.5.1 of assessment ETA-21/0087 (DoP no. 231590).
Distance between through holes = min. 200mm.
Installation picture not to scale.

Acryrub FR PS: 12mm depth with seam structure, sound insulation in the structure 62dB. (EN ISO 10140-2:2010).
The product has an M1 emission classification.
Soudal Fire Board Pro: 50mm deep, opening size 30mm x 1200mm, sound insulation in the structure 55dB (EN ISO 10140-2).
The product meets the M1 emission classification level.

Product used in this drawing must not be changed. If product, or application method is changed, firestop plans must be updated.