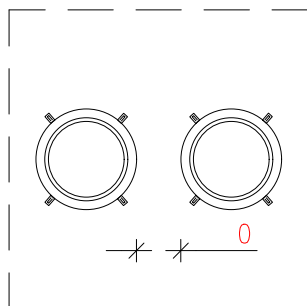
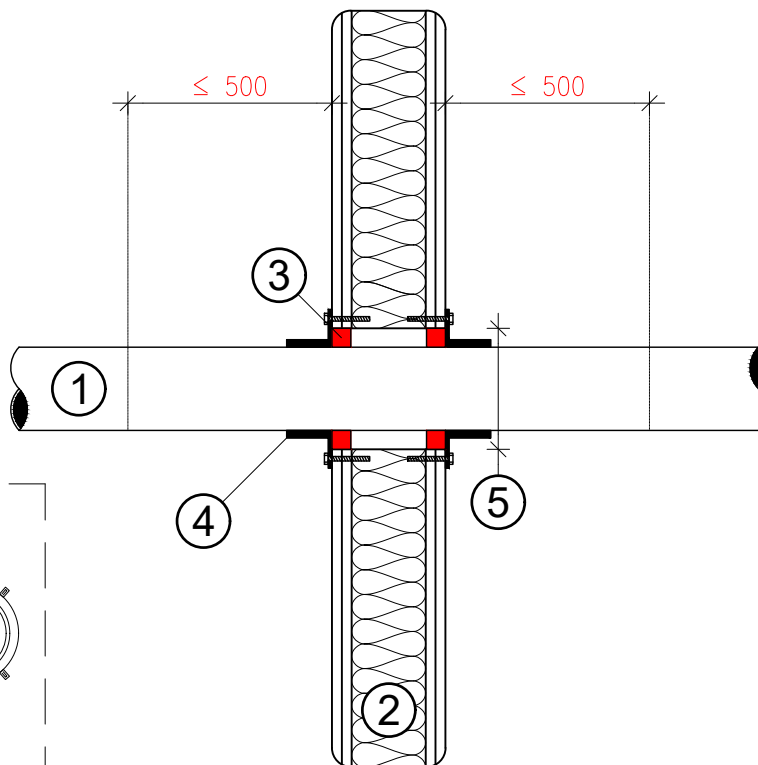


SISÄLTÖ

Plastic pipe firestop in gypsum board wall

VS-M-X1

KOHDE



1. Penetrating element:

Material	Diameter	Classification
PVC-U, PVC-C	≤ 50mm	EI 60 U/U
	≤ 110mm	EI 60 U/C
	≤ 140mm	EI 60 U/U
	≤ 160mm	
	315mm	
PE, ABS, SAN+PVC	≤ 50mm	EI 60 U/C
	≤ 110mm	
	≤ 140mm	EI 60 U/U
	160mm	EI 90 U/U
	200mm	EI 60 C/C
	250mm	
PP	≤ 50mm	EI 60 U/U
	≤ 110mm	
	≤ 160mm	
Geberit Silent PP	≤ 50mm	EI 120 U/U
	≤ 110mm	EI 60 U/U
Poloplast Polo Kal NG	≤ 50mm	EI 120 U/U
	≤ 110mm	EI 90 U/U
	≤ 125mm	EI 90 U/C
	≤ 160mm	EI 120 U/U
	≤ 50mm	EI 90 U/U
Rehau Raupiano Plus	≤ 110mm	EI 60 U/U
	≤ 160mm	EI 120 U/U
	≤ 50mm	EI 120 U/U
Wavin SiTech	≤ 50mm	EI 120 U/U
	≤ 110mm	EI 60 U/U
Uponor Decibel	≤ 50mm	EI 60 U/U
	≤ 75mm	
	≤ 110mm	
PEX-pipes (≤ 25mm) in bundles	≤ 55mm	EI 90 C/C

- Gypsum board wall, min. 100mm, both sides of structure.
- Fire acrylic filling, Acryrub **FR PS**, ETA-21/0092
< 8mm joint width: fire acrylic sealing,
> 8mm joint width: Fire acrylic filling, depth 25mm.
- Firestop collar, **Soudacollar P FR**, ETA-21/0091.
- Max. aperture: diameter of pipe + 60mm*.

Installation of fire break according to point A.2.1 of assessment ETA-21/0091 (DoP no. 231587).

* Aperture recommendation: diameter of pipe + 10mm (in terms of collar installability).
Installation picture not to scale.

Acryrub FR PS: 12mm depth with seam structure, sound insulation in the structure 62dB. (EN ISO 10140-2:2010).

The product has an M1 emission classification.
Soudacollar P FR: The product does not contain dangerous substances.

Product used in this drawing must not be changed. If product, or application method is changed, firestop plans must be updated.